

RATIONALE

AS5827A HAS BEEN REAFFIRMED TO COMPLY WITH THE SAE FIVE-YEAR REVIEW POLICY.

REV.
A

AS5827

SAE Technical Standards Board Rules provide that: "This report is published by SAE to advance the state of technical and engineering sciences. The use of this report is entirely voluntary, and its applicability and suitability for any particular use, including any patent infringement arising therefrom, is the sole responsibility of the user."

SAE reviews each technical report at least every five years at which time it may be revised, reaffirmed, stabilized, or cancelled. SAE invites your written comments and suggestions.

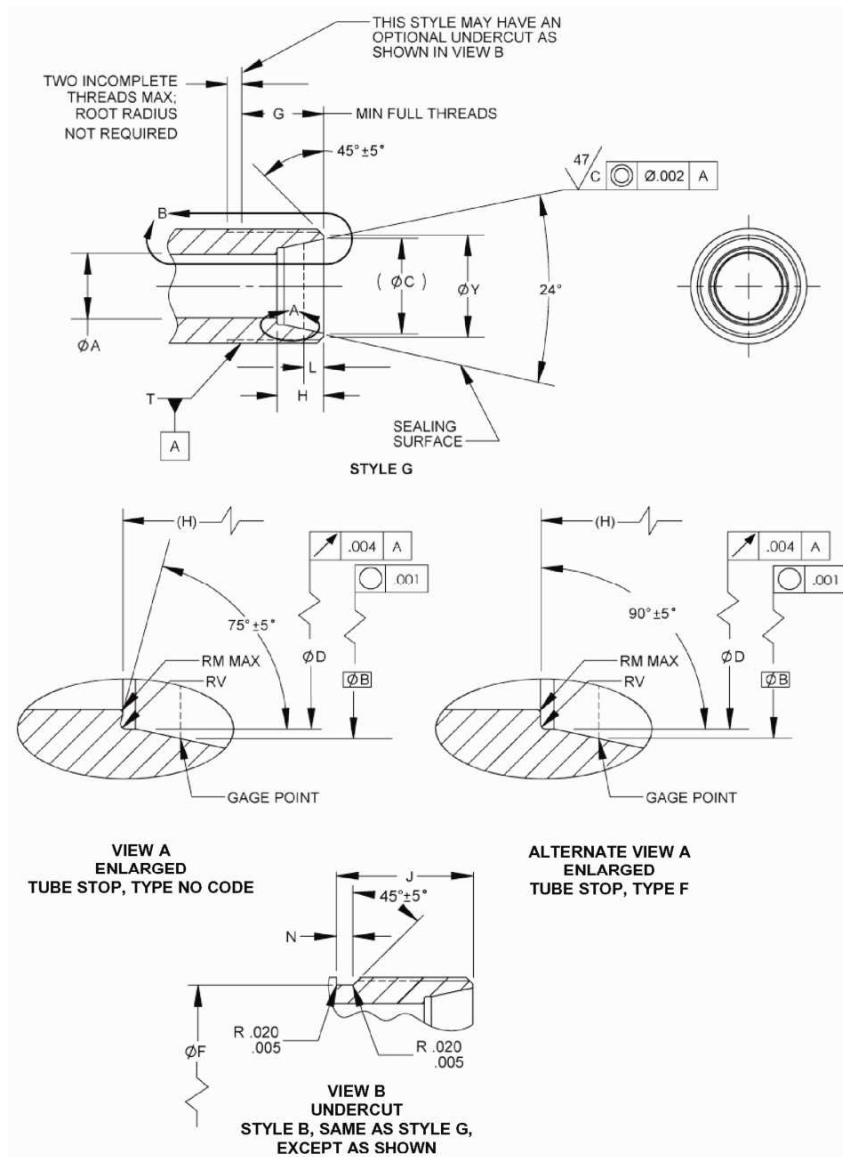
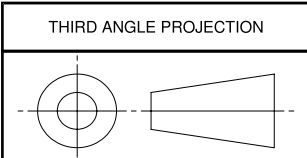


FIGURE 1 - FITTING END DESIGN, STYLE B AND G

SAE values your input. To provide feedback on this Technical Report, please visit <http://www.sae.org/technical/standards/AS5827A>



CUSTODIAN: G-3/G-3C

PROCUREMENT SPECIFICATION: NONE /1/



AEROSPACE STANDARD

FITTING END, FLARELESS,
EXTRA FINE THREAD, DESIGN STANDARD

AS5827
SHEET 1 OF 4

**REV.
A**

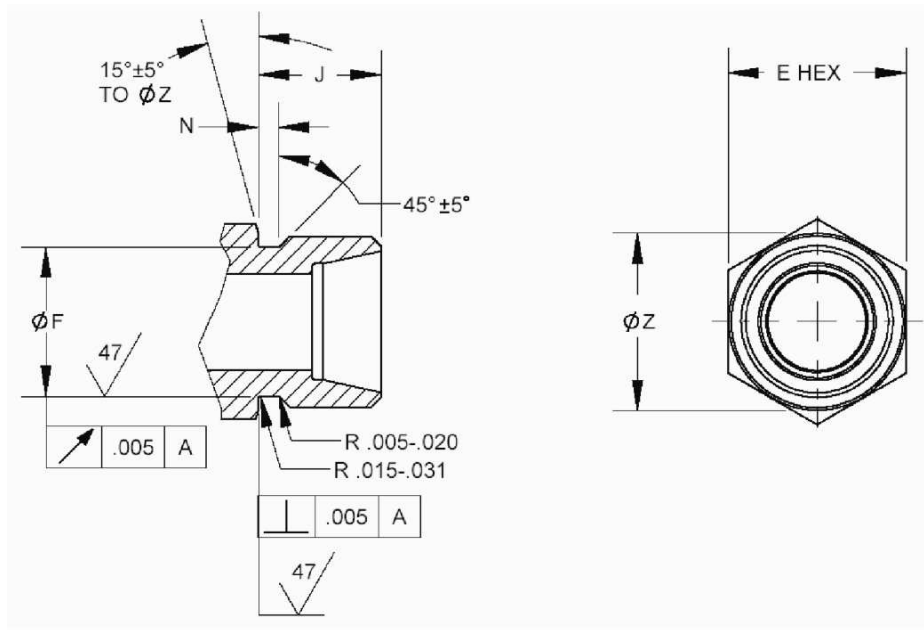


FIGURE 2 - FITTING END DESIGN, STYLE E
SAME AS STYLE G EXCEPT AS SHOWN

TABLE 1A - DIMENSIONS A-F

BASIC NO. AS5827 /7/ SIZE CODE	(NOMINAL TUBE SIZE)	T THREAD PER ISO 3161 CLASS 3A	A ±.003	B GAGE	(C)	D +.004/-.000	F +.004/-.003
04	.250	.4375-28 UNJEF	.187	.2930	.319	.261	.379
06	.375	.5625-24 UNJEF	.297	.4160	.441	.386	.497
08	.500	.7500-20 UNJEF	.422	.5600	.601	.514	.674
10	.625	.8750-20 UNJEF	.500	.6860	.727	.641	.799
12	.750	1.0625-18 UNJEF	.656	.8100	.852	.766	.971
16	1.000	1.3125-16 UNJ	.875	1.0620	1.102	1.016	1.221
20	1.250	1.6250-16 UNJ	1.093	1.3160	1.355	1.270	1.533

TABLE 1B - DIMENSIONS G-Y

BASIC NO. AS5827 /7/ SIZE CODE	G	H ±.003	J	L ±.003	M MAX	N +.015/-.000	V	Y
04	.443	.234	.453	.060	.005	.075	.005-.020	.365
06	.459	.250	.469	.057	.010	.083	.005-.020	.480
08	.552	.305	.562	.095	.010	.094	.005-.020	.660
10	.615	.350	.625	.095	.010	.107	.005-.020	.775
12	.678	.350	.688	.097	.010	.125	.005-.020	.945
16	.678	.415	.688	.093	.010	.125	.005-.020	1.195
20	.678	.415	.688	.090	.015	.125	.020-.030	1.505



AEROSPACE STANDARD

FITTING END, FLARELESS,
EXTRA FINE THREAD, DESIGN STANDARD

AS5827
SHEET 2 OF 4

REV.
A